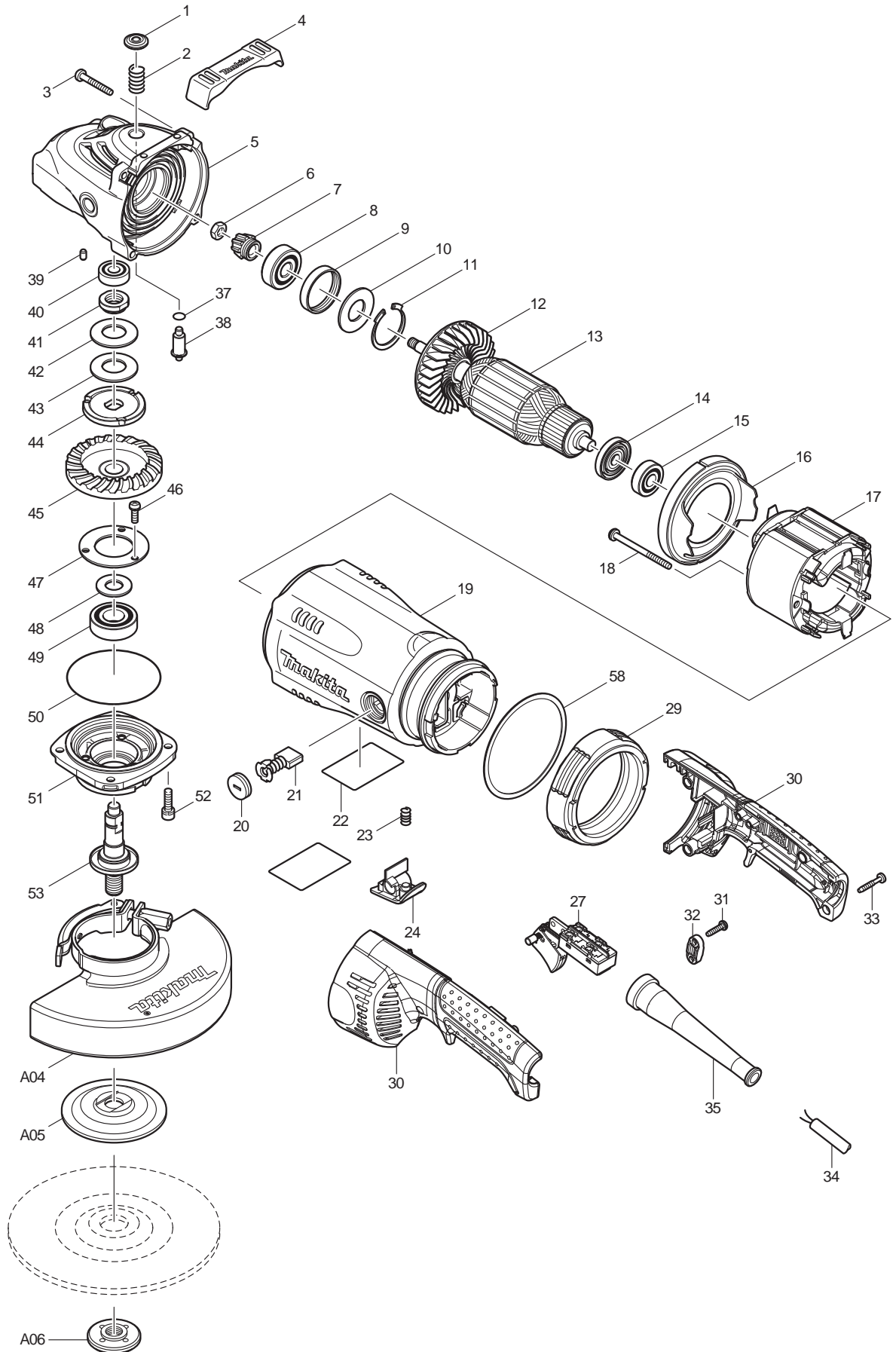




12 - 2010
GA7031
7" GRINDER, LOCK-ON



Item No	Type	Ref	Part No	Description	Qty	Unit
1			419133-4	PIN CAP	1	PC.
2			233292-8	COMPRESSION SPRING 12	1	PC.
3			266373-3	TAPPING SCREW 5X35	4	PC.
4			419144-9	BUMPER	1	PC.
5			154685-5	GEAR HOUSING COMPLETE	1	PC.
	INC.		262118-7	FELT RING 18	1	PC.
6			252194-9	HEX. NUT M8	1	PC.
7			227488-1	SPIRAL BEVEL GEAR 16	1	PC.
8			211132-0	BALL BEARING 6301DDW	1	PC.
9			262085-6	RUBBER RING 38	1	PC.
10			267299-2	FLAT WASHER 20	1	PC.
11			962211-4	RETAINING RING R-42	1	PC.
12			240081-4	FAN 80	1	PC.
13			517826-8	ARMATURE ASS'Y 115V	1	PC.
	INC.			Item No. 12, 14, 15	1	PC.
14			681630-2	INSULATION WASHER	1	PC.
15			211087-9	BALL BEARING 6200DDW	1	PC.
16			419135-0	BAFFLE PLATE	1	PC.
17			526206-7	FIELD ASS'Y 115V	1	PC.
	INC.		654197-3	RING TERMINAL (Garter Spring)	2	PC.
	INC.		654553-7	CONNECTOR 34137	2	PC.
18			266029-8	TAPPING SCREW 5X65	2	PC.
19			158083-5	MOTOR HOUSING COMPLETE	1	PC.
	INC.		643712-8	BRUSH HOLDER	2	PC.
	INC.		810341-4	CAUTION LABEL	1	PC.
20			643700-5	BRUSH HOLDER CAP 7-18	2	PC.
21			194992-4	CARBON BRUSH CB-204, 2 PCS/SET	1	SET
22			867254-0	GA7031 NAME PLATE	1	PC.
23			233375-4	COMPRESSION SPRING 7	1	PC.
24			419260-7	LOCK BUTTON	1	PC.
27			650104-4	SWITCH 1269. 0201	1	PC.
29			421936-4	VIBRATION PROOF RUBBER	1	PC.
30			188754-0	HANDLE SET	1	SET
	INC.		421565-3	SPONGE SHEET	2	PC.
	INC.		423350-0	SPONGE SHEET	1	PC.
31			265995-6	TAPPING SCREW 4X18	2	PC.
32			687052-4	STRAIN RELIEF	1	PC.
33			266374-1	TAPPING SCREW 4X25	4	PC.
34			664463-0	CORD W/PLUG 2P-14-2.5M, SJ	1	PC.
35			682560-0	CORD GUARD 10	1	PC.
37			213062-1	O RING 9	1	PC.
38			256491-5	SHOULDER PIN 5	1	PC.
39			263002-9	RUBBER PIN 4	1	PC.
40			211062-5	BALL BEARING 6000ZZ	1	PC.
41			252429-8	NUT M15-23	1	PC.
42			232163-6	CUP SPRING 20	1	PC.
43			232163-6	CUP SPRING 20	1	PC.
44			267798-4	LOCK WASHER	1	PC.
45			227493-8	SPIRAL BEVEL GEAR 53D	1	PC.
46			265120-9	PAN HEAD SCREW M5X16	3	PC.
47			285724-1	BEARING RETAINER 50	1	PC.
48			267167-9	FLAT WASHER 15	1	PC.
49			211278-2	BALL BEARING 6203DDW	1	PC.

Item No	Type	Ref	Part No	Description	Qty	Unit
50			213760-7	O RING 78	1	PC.
51			317988-0	BEARING BOX	1	PC.
52			265541-5	HEX. SOCKET HEAD BOLT M6X22	4	PC.
53			154787-7	SPINDLE A COMPLETE	1	PC.
		INC.	345629-8	LABYRINTH RING 25	1	PC.
58			261131-2	NYLON WASHER 89	1	PC.
100			652039-5	+ BINDING HEAD SCREW M3.5X6.8	4	PC.
101			654117-7	INSULATING TERMINAL	2	PC.
102			654200-0	NON-INSULATED TERMINAL	2	PC.
200			870461-6	CARTON	1	PC.

ACCESSORIES

A01	2		162264-5	VIBRATION PROOF GRIP F/7-9", BULK	1	PC.
	3		194543-3	VIBRATION PROOF GRIP F/7-9", PKG	1	PC.
A02			194289-1	DUST COVER ATTACHMENT SET	1	PC.
A03			782412-6	LOCK NUT WRENCH 28	1	PC.
A04			122767-1	TOOLLESS WHEELCOVER ASS'Y F/7"	1	PC.
A05			224317-9	INNER FLANGE 89	1	PC.
A06			224568-4	LOCK NUT 5/8-45	1	PC.
A07			193048-0	SANDING LOCK NUT 5/8-48, PACKAGED	1	PC.
A08			194289-1	DUST COVER ATTACHMENT SET	1	PC.
A10			194684-5	GRIP ATTACHMENT SET	1	PC.
A11			----	7" D.C.W. (SEE CATALOGUE)	1	PC.
A12			743012-7	RUBBER PAD 170(5/8")	1	PC.
A13			----	7" ABRASIVE DISC (SEE CATALOGUE)	1	PC.

REPAIR TOOL

B01			194306-7	LOCK NUT RELEASE SOCKET 28 SET	1	PC.
-----	--	--	----------	--------------------------------	---	-----